

# MCA-1001

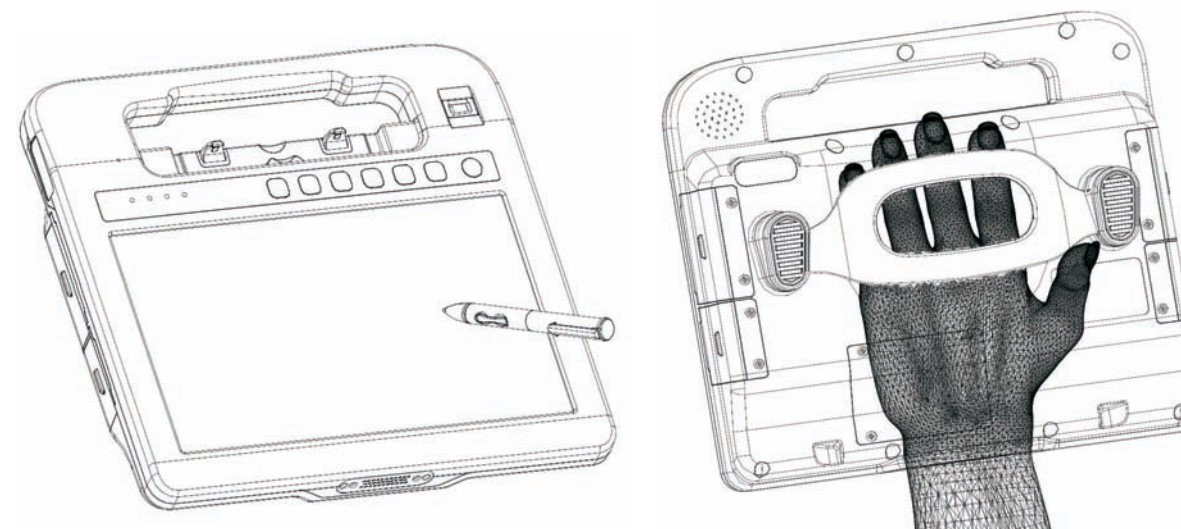
10.1" Fanless Portable Medical PC with Intel®Atom™ Z510 Processor



Product No: 2362296



## Dimensions



1

Full-Size/Half-Size Slot CPU Cards

2

SBC/Motherboard Modules

3

Embedded Box PC

4

Network Application Computers

5

Industrial PC

6

HMI

7

EVOG Rugged Series

8

MOC Series

9

Chassis

10

Data Acquisition Boards &amp; Modules

11

Accessories

1

Full-Size/Half-Size Slot CPU Cards

2

SBC/Motherboard Modules

3

Embedded Box PC

4

Network Application Computers

5

Industrial PC

6

HMI

7

EVOG Rugged Series

8

MOC Series

9

Chassis

10

Data Acquisition Boards &amp; Modules

11

Accessories



## Features

- 10.1" fanless medical pc
- Onboard Intel® Atom™ Z510 1.1GHz processor
- Intel® SCH US15W chipset
- Supports one DDR2 SO-DIMM slot, up to 2GB memory

## Specifications

### System

Processor	Onboard Intel® Atom™ Z510 1.1GHz, FSB 400MHz 512K cache) (Z530 1.6GHz optional, FSB 533MHz 512K cache)
Chipset	Intel® SCH US15W
Memory	2GB DDR2 533MHz memory
Graphics controller:	Intel® SCH US15W integrated
Display	10.1" color TFT LCD(1024 x 576)
Touch screen	stylus pen/handwriting pad

### Storage

Serial ATA/HDD	1.8" SATAconnector, support HDD or SSD hard disk
----------------	--

### Audio/Camera

Audio	One high quality loudspeaker Built-in microphone
Camera	3.0 Mega pixel Auto Focus Webcam (with fill light function)

### I/O Port

Serial port	1 x RS232
USB port	1 x USB2.0
Docking port	1 x Docking for charging
DC-in	+19V

### Communication Interface

Wireless	PCI Express MiniCard interface, supports 802.11a/g/n
Bluetooth	Standard
Barcode Scanner	Supports 1D barcode scanning (2D barcode scanner optional)
RFID Card Reader	Supports e-tag scanning (complies with ISO15693/ISO14443B protocol)
Fingerprint	Standard

### Power

Adapter	AC Adapter(90W, 100-240V, 50/60Hz)
Battery	Dual-channel supports two batteries, LI-ion Smart battery 11.1V /2200mAh
Operating system	Windows XP/Windows XP Tablet PC Edition 2005

### Mechanical and Environmental

Dimensions(L x W x H)	266mm x 249mm x 44mm
Weight	1.5kg
Reliability	MTBF ≥50000H; MRRT≤0.5H
Operating Temperature	0℃~40℃
Storage Temperature	-20℃~60℃
Operating Temperature	20%-90%, 40℃ non-condensing

### Test

Vibration	5~17Hz/ 1mm amplitude; 17~200Hz/1g acceleration(SSD storage)
Shock	10g acceleration and 11ms duration(SSD storage)
EMC	GB9254-2008 standard class B

## Available Accessories

Part Number	Name	Description	Qty.
1100-001401	Battery	MCA3S1PK01 /11.1V /2200MAH /3 Cells	1
2100-073041	AC Adapter/ROHS	90W/FSP090-DMAB1/2.1*5.5*12 /+19V Output/Black	1
2100-080001	Stylus	TGE TGP802 /D=11mm / Stylus	1

## Ordering information

Part Number	Model Number	Description
0010-031501	MCA-1001	Complete PC/Z510 1.1GHz CPU/2GB/32G 1.8" SSD /WiFi/Bluetooth/Camera/fingerprint/Scanner/RFID Reader/2200MAH Battery/Adapter
0010-033761	MCA-1001-3	Complete PC/Z510 1.1GHz CPU/2GB/32G 1.8" SSD/WIFI/Bluetooth/Camera/fingerprint/2200MAH Battery/Adapter